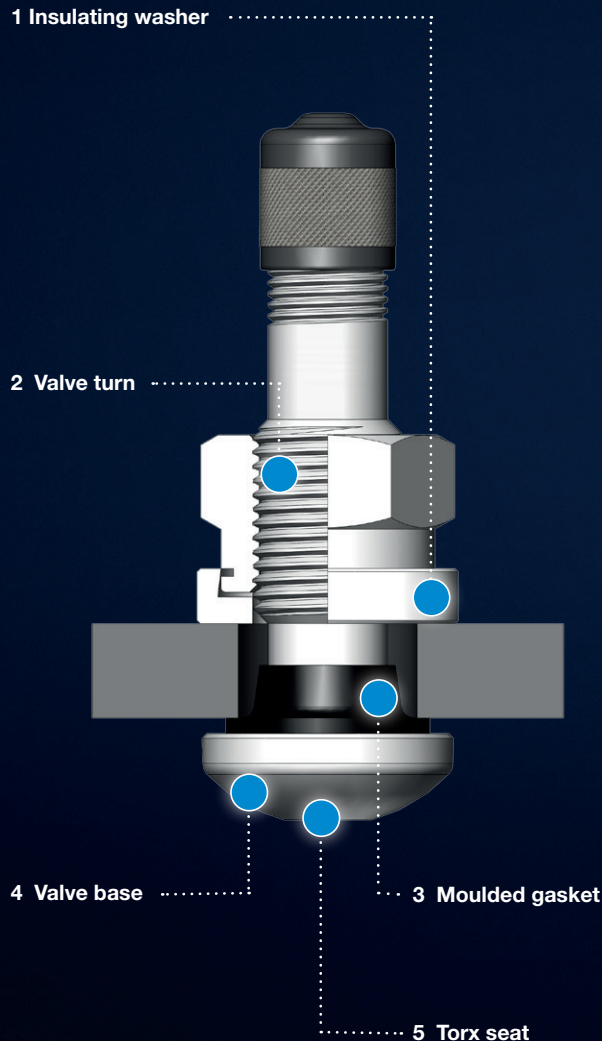


Valve section SPEEDLINE TRUCK



SPEEDLINE TRUCK light metal forged wheel valve structure:

- 1 The **insulating washer** prevents metallic contact between the nut and the external surface of the wheel and therefore corrosion. It also remains attached to the nut, facilitating assembly operations.
- 2 In order to impede a metallic contact inside the valve hole, the length of the valve turn has been adapted to the thickness of the valve hole for each SPEEDLINE TRUCK wheel.
- 3 The **moulded gasket** protects the wheel from corrosion by preventing metallic contact with the valve. With its **3 - 5 Nm fastening torque**, it minimizes the stress on the valve hole compared to the standard 12 - 15 Nm valve torque.
- 4 The rounded shape of the **valve base** respects the tire heel during the assembly phase.
- 5 The **torx seat** facilitates the blocking of the valve during the fastening phase.

Further explanations are available from SPEEDLINE TRUCK or at www.speedline-truck.com

Our brand

SPEEDLINE TRUCK is one of the leading manufacturers of light metal wheels for commercial vehicles, trailers and coaches, for both original equipment and the aftermarket.

SPEEDLINE TRUCK light alloy forged wheels are known for their high strength and low weight. All wheels offer the highest payload levels on the market and come with TÜV testing and German aftermarket ABE approval.

The valves have been developed and manufactured in Italy for SPEEDLINE TRUCK in collaboration with Bridgeport.



SPEEDLINE TRUCK valves

Exclusive accessories for SPEEDLINE TRUCK forged light alloy wheels for commercial vehicles and buses. Made by Bridgeport.

Valve program



Valve SLT-003

Valve for the following SPEEDLINE TRUCK wheels in the formats 17.5x6.75", 22.5x8.25" and 22.5x9.00"

SLT 2901 | SLT 2911 | SLT 2900 |
SLT 2897 | SLT 2907



Valve SLT-020

Valve for the following SPEEDLINE TRUCK wheels in the formats 19.5x7.50", 22.5x11.75", ET 0, and 22.5x13.00"

SLT 3087 | SLT 2889 | SLT 3099 |
SLT 3187



Valve SLT-022

Valve for the following SPEEDLINE TRUCK wheels in the formats 22.5x7.50" and 22.5x9.00"

SLT 3201 | SLT 3211 | SLT 2887

Valve SLT-004

Valve for the following SPEEDLINE TRUCK wheels in the formats 17.5x6.75"

SLT 2891 | SLT 3086



Valve SLT-021

Valve for the following SPEEDLINE TRUCK wheels in the formats 19.5x14.00", ET120 and 22.5x11.75", ET 0, ET 45, ET 120, ET 135

SLT 2899 | SLT 2888 | SLT 2898 |
SLT 3063 | SLT 3598 | SLT 3774



SPEEDLINE TRUCK valves

Our valves, with their high quality and attractive design, complement our range of light metal wheels.

Material

SPEEDLINE TRUCK valves are made of brass and finished with a special nickel alloy. The upper insulating washer and the rubber seal fixed below are particularly robust and make the valve body very resistant.

Protection

In the valve hole area, the valves offer SPEEDLINE TRUCK forged wheels additional, effective protection against extra loads and corrosion.

Mounting

SPEEDLINE TRUCK valves are easy to mount due to their very precise construction and unique and simple fixing technique, requiring only a torque screwdriver.

Indications

For safety reasons, the valve must be replaced at each tire change.

A torque of 3-5 Nm is recommended for mounting.

To protect the wheel and valve, do not exceed the maximum value.

Light wheels for heavy weights

www.speedline-truck.com

Version 2.0, August 2015

RONALGROUP